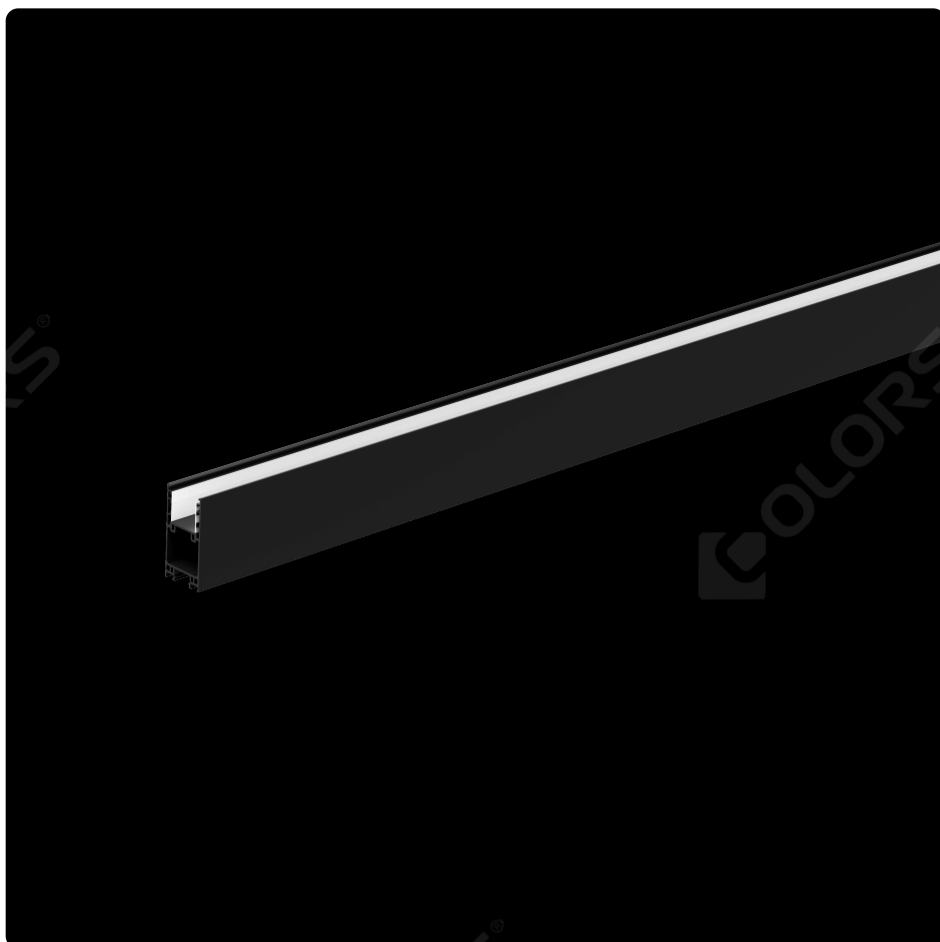


Pendant&Surface CS3570

# CS3570





## CS3570

### Basic Parameters

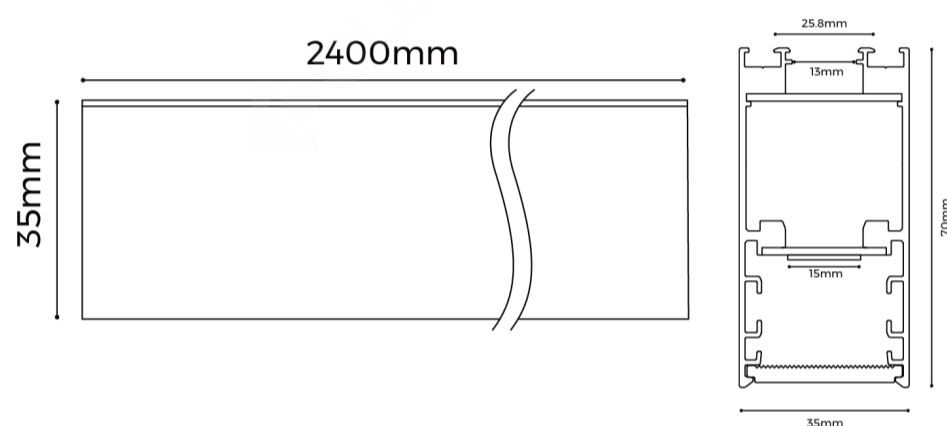
Application	Indoor
Material	AL6063-T5,spraying surface
IP Grade	IP20
Warranty	5 years

### Electrical Parameters

### Optical Parameters

SDCM	≤3 Step(ANSI)
Length	2400mm
Luminous Efficacy	70LM/W

### Dimensions

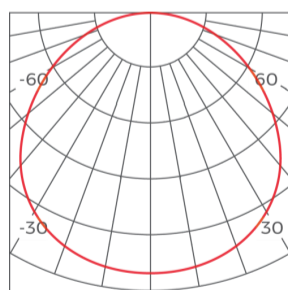


### Luminaire Parameters

Version	Size(mm)	Power(W)	PCB Current(A)	CRI	CCT	Lumens(LM) @White, Silver	Lumens(LM) @Black
Regular	1000mm	19	0.8	>80	4000K	1344	1142
Regular	1000mm	19	0.8	>90	4000K	1156	982

### Light Distribution

Regular-110°



h(m)	D(cm)	E(lx)
1	277	463
2	554	116
3	831	51
4	1108	28

### Common Accessories

#### Splicing accessory



EX-E18

Applicable product model: CS3570  
Material process:SPCC/ Electrophones  
is Size: L31.8\*W30\*H15.7mm Quantity:  
1 PCS/SET Other:Includes mounting screws.

## Dedicated light source



### DA1682415

Applicable product model : AS3535/AH5060 Size: 5000\*15\*1.5mm Cutting Unit : 35.71mm Input Voltage : DC24V Typ.Power : 20W/M Typ.luminous flux: 756LM/M CCT:RGB CRI: / Other : 20# wire diameter, outer diameter 5mm, red-green-blue-white 4PIN transparent crystal cable



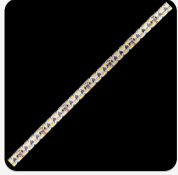
### DMA1202415

Applicable product model : AS3535/AH5060 Size: 4000\*15\*1.5mm Cutting Unit : 50mm Input Voltage : DC24V Typ.Power : 25W/M Typ.luminous flux: 724LM/M CCT: RGB Control Mode:DMX CRI: / Other : 20# wire diameter, outer diameter 5mm, red-green-blue-white 4PIN transparent crystal cable



### DS81602415

Applicable product model : AS3535/AH5060 Size: 5000\*15\*1.5mm Cutting Unit : 50mm Input Voltage : DC24V Typ.Power : 19.2W/M Typ.luminous flux: 2880LM/M CCT: 2700/3000/3500/4000/5000/6500K CRI: 80/90 Other : 18# wire diameter,PVC material, 2PIN red-black wire



### DS83202415

Applicable product model:AS3535/AH5060 Size: 4000\*15\*1.5mm Cutting Unit:50mm/16LEDs Input Voltage:DC24V Typ.Power:38.4W/M(2700K+6500K) Typ.luminous flux: 2880LM/M@2700K CCT: 2700K+6500K CRI: 80/90 Other:Outer diameter 6mm,18# wire diameter, brown-blue-green 3PIN crystal wire

## Cover



### CV-CS3535D

Applicable product model:CS3535/CS3570/CE3535(suitable for down-lighting) Diffuser Nature: Diffuser Material process: silica gel flexible/frosting Light transmittance:≥55% Size: 20000\*32\*3.5mm Other: Fire protection rating UL94-V2; increased silicone oil on both sides (dustproof)

## Controller



### CR2-GBA

Product Name: CR2-GBA Input Voltage: 12-48V Output Current:8A\*2CH,Max 16A Output Power:192W/384W@12V/24V , 384W/576W@36V/48V Dimming Mode: Two-color 2.4 remote control IP:IP20 Product Size:L175\*W45\*H27(mm)

## End cap accessory



### EC-MS3570

Applicable product model: MS3570 Material process: aluminum/ powder spraying Size: L70\*W35\*H2.5mm Quantity:2PCS/ set

## Installation accessory



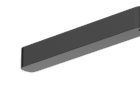
### CL-15

Applicable product model: CSXX70  
 Installation method: ceiling  
 Material process: /  
 Size: KA3.5\*50mm  
 Quantity: 2PCS/ set



### CP-53

Applicable product model: MS3535/MS3570/ME3535  
 Applicable installation: Pendant/Ceiling/Recessed  
 Material process: Stainless Steel  
 Size: L22.67\*W20\*H5.3mm  
 Quantity: 4PCS/SET



### PB-09

Applicable product model: CS3535/CS5035/CS7035/CS3570/CS5070/CS7070  
 Installation method: pendant(Power box with wire)  
 Material process: SPCC/powder spraying  
 Maximum weight capacity: 8Kg  
 Size:  
 Power Box: L400\*W55\*H50mm  
 Wire: D3\*2000mm  
 Quantity: 1PCS/ set  
 Note:  
 1. Including 1PCS Power Box+1PCS input wire; Power supply not included.  
 2. One power box holds one power supply  
 3. Need to order separate clip(CP-X) to use with it



### PB-10

Applicable product model: CS3535/CS5035/CS7035/CS3570/CS5070/CS7070  
 Installation method: pendant(Power box with rod)  
 Material process: SPCC/powder spraying  
 Size: Power Box: L400\*W55\*H50mm  
 Rod: 1-2 meter adjustable  
 Wire: D3\*2000mm  
 Quantity: 1PCS/ set  
 Note:  
 1. Including 1PCS Power Box+1PCS input wire+1PCS rod; Power supply not included.  
 2. One power box holds one power supply  
 3. Need to order separate clip(CP-X) to use with it



### PG-IXXX

Applicable product model: LS1911C/LS1911K/LS3535/LS5050/LS3360/LS4067/LS5470(F)/LS7977/LT60/BH3360/BH5470/BH7977/BS3360/BS5470/BS7977/LS60/S60/LS25/LH40FD/LH40FP/LH40G/LS40FD/LS40FP/LS40G/LS40GW/M20FD/M20G(A)/M20G/M20I/M20S/R25FD/R25FP/R25G/R25KD/R25L/R35I/R35S/RNR3OMJ/RNR3ONJ/RNR3ONK  
 Installation method: pendant  
 Material process: /  
 Maximum weight capacity: 8KG  
 Quantity: 2PCS/ set  
 Other: Pendant rod (1-2m adjustable), include 2pcs pendant rods, 2 pcs rectangular screw



### PN(E)-D

Applicable product model: LINE ECO series  
 Installation method: Pendant  
 Material process: Nickel plating  
 Size: /  
 Quantity: 2PCS/SET  
 Other: 2 meter wire rope 2PCS, cable locker 2PCS, cable holder 2PCS, M5 flat head Phillips screws 2PCS, M4\*35mm screws 2PCS, expansion tube 2PCS



### PN-DXX

Applicable product model: LS1911C/LS1911K/LS3535/LS5050/LS3360/LS4067/LS5470(F)/LS7977/LT60/BH3360/BH5470/BH7977/BS3360/BS5470/BS7977/LS5470(F)/LS7977/LT60/LINE40 series product/LINE60 series product/TLS-R6X0 track  
 Installation method: Pendant  
 Material process: Pearl Chrome  
 Size: /  
 Quantity: 2PCS/ set  
 Other: Junction box not included, 2 pcs pendant cable accessory, pendant cable length 4m, rectangular screw model.



### PP-A

Applicable product model: CS3535/CS5035/CS7035/CS3570/CS5070/CS7070  
 Installation method: pendant(Ceiling plate with wire)  
 Material process: Fe/powder spraying  
 Maximum weight capacity: 3Kg  
 Size: Ceiling Plate: D88\*29mm/Wire: D3\*2000mm  
 Open hole: D75mm  
 Quantity: 1PCS/ set  
 Note : 1. Including 1PCS Ceiling plate+2PCS spring s+1PCS input wire. 2. One ceiling plate holds one power supply. 3. Need to order separate clip(CP-XX) to use with it.



### PP-G

Applicable product model: CS3535/CS5035/CS7035/CS3570/CS5070/CS7070  
 Installation method: pendant(Ceiling plate with rod)  
 Material process: Fe/powder spraying  
 Maximum weight capacity: 3Kg  
 Size: Ceiling Plate: D88\*29mm/Rod: 1-2 meter adjustable/Wire: D3\*2000mm  
 Open hole: D75mm  
 Quantity: 1PCS/ set  
 Note : 1. Including 1PCS Ceiling plate+2PCS springs+1PCS input wire+1PCS rod. 2. One ceiling plate holds one power supply. 3. Need to order separate clip(CP-XX) to use with it.

## CCT-Remote control



### R7-1

Product Name: R7-1 Dual Color Remote  
 Working Voltage : 3VDC (Battery CR2032)  
 Operating Frequency: 2.4GHz  
 Remote Control Distance: 30 meters  
 Operating Temperature: -30°C~55°C  
 Product Size: L107\*W58.5\*H9(mm)

**Power Supply**



**BK-DEV200-24V0D**  
 Applicable product model: General  
 Dimming mode: DALI2,PUSH-dimming,1-10V 3in1 dimming  
 Size: 361\*33.1\*22.8mm  
 Input voltage: AC200-240V  
 Operating frequency: 50/60Hz  
 PF value: ≥0.9  
 Output voltage: DC24V  
 Output current: ≤8.3A  
 Power: 200W  
 Efficiency: 0.92  
 Certification: TUV, CE, RCM  
 Case material: Metal housing



**BK-DGVX-24V0D**  
 ProductName: BK-DGV036-24V0D/BK-DGV060-24V0D/BK-DGV100-24V0D  
 Applicable product model: General  
 Output power: 36W/60W/100W  
 Output current: ≤1.5A/≤2.5A/≤4.2A  
 Product size: 245.0\*30.0\*21.0mm/285.0\*30.0\*21.0mm/355.0\*30.0\*21.0mm  
 Input voltage: AC200-240V  
 Operating frequency: 50/60Hz  
 Output voltage: DC24V  
 PF value: ≥0.9  
 Efficiency: ≥0.88  
 IP: IP20  
 Dimming mode: DALI-2,PUSH-Dimming,1-10V 3in1 Dimming  
 Certification: CE, ENEC, UKCA, RCM, CCC, EL  
 Material: Metal housing  
 Warranty: 5 years



**BK-MEV200-24V0M**  
 Applicable product model: General  
 Dimming mode: 1-10V Dimming  
 Size: 321.5\*48\*30mm  
 Input voltage: AC200-240V  
 Operating frequency: 50/60Hz  
 PF value: ≥0.9  
 Output voltage: DC24V  
 Output current: ≤8.3A  
 Power: 200W  
 Efficiency: 0.93  
 Certification: CE, ENEC, UKCA, RCM, CCC, EL  
 Case material: Metal housing



**BK-MGVX-24V0M**  
 ProductName: BK-MGV036-24V0M/BK-MGV060-24V0M/BK-MGV100-24V0M  
 Applicable product model: General  
 Output power: 36W/60W/100W  
 Output current: ≤1.5A/≤2.5A/≤4.2A  
 Product size: 245.0\*30.0\*21.0mm/285.0\*30.0\*21.0mm/355.0\*30.0\*21.0mm  
 Input voltage: AC200-240V  
 Operating frequency: 50/60Hz  
 Output voltage: DC24V  
 PF value: ≥0.9  
 Efficiency: ≥0.89  
 IP: IP20  
 Dimming mode: 1-10V Dimming  
 Certification: TUV, CE, ENEC, RCM  
 Material: Metal housing  
 Warranty: 5 years



**LF-GHYXH24**  
 Applicable product model: General  
 Dimming mode: Non-Dimming  
 Size: 316\*30.7\*22.8mm / 361\*33.1\*22.8mm  
 Input voltage: AC220-240V  
 Operating frequency: 50/60Hz  
 PF value: ≥0.9  
 Output voltage: DC24V  
 Output current: ≤4.25A / ≤10A  
 Power: 100W / 240W  
 Efficiency: 0.92  
 Certification: ENEC,CE,CB,RCM,UKCA,MM,CCC  
 Case material: Plastic

**Packing**

QTY/CTN	N. WT (ctn)	G.WT (ctn)	Size (cm/carton)	Product Size (mm)
8	22.08	24.288	245*15.5*15.5	2400*35*70mm